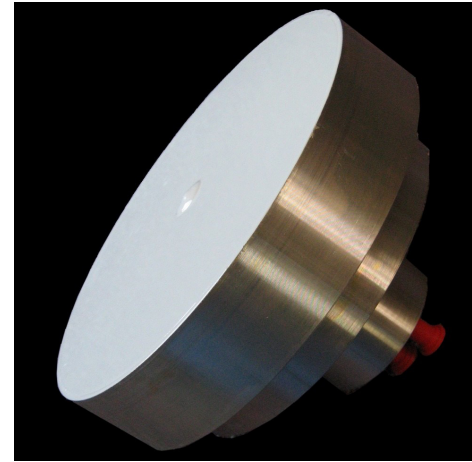


Model

FPP2DL-20-S

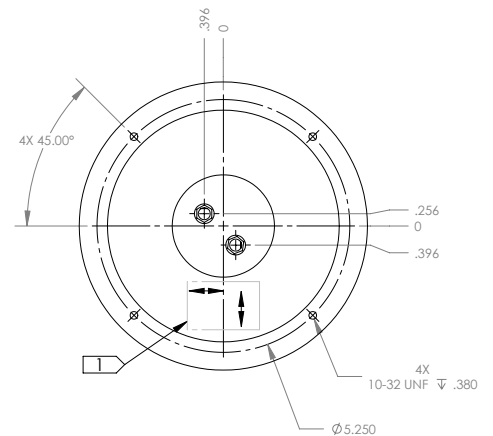
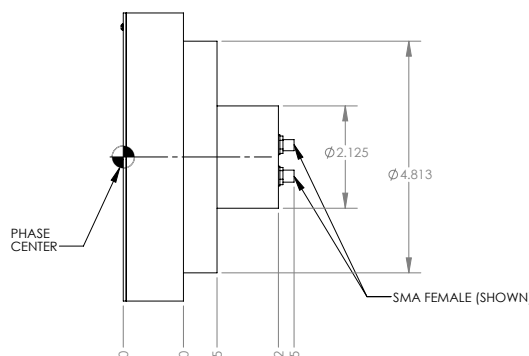
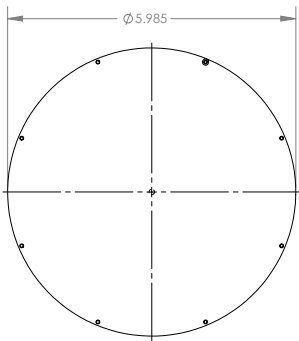
1.5 - 2.5 GHz - L/S-Band
Dual Linear Prime Focus Feed

mWAVE's Dual Linear Prime Focus Feeds are available in wide variety of frequency bands and configurations to meet our customers needs. Designed for the most demanding RF and environmental conditions, these antennas deliver constant performance year after year. Engineered for fixed, mobile or positioner installations. Made in the USA.



Specifications

Frequency Band	1.50 - 2.50 GHz - L/S Band		
Feed Type	Dual Linear Prime Focus Feed		
F/D ratio reflector	Designed for 0.375 f/d ratio reflector can be used with 0.35 - 0.42 f/d reflectors.		
On-axis cross-pol.	< -30 dB		
Power Handling, CW	50	Watts	Max (See Notes) Higher power models available
Average VSWR	<1.5:1		Average
RF Interface	SMA female		
RF Interface Location	Rear surface of feed		
Mounting	Interchangeable quick disconnect mounting		
Construction	Aluminum		
Finish, machined aluminum components	Chemical Conversion per MIL-DTL-5541F, Type 2, Class 1A, Clear finish		
Environmental use	Sealed for outdoor use		
Feed Net Weight	2-lbs.	0.90-kg.	Approximate



Notes:

- (1.) The maximum power handling is specified under ideal conditions only and does not include derating factors associated with the isolated or combined effects of operating temperature, altitude, VSWR, and or solar loading.
 - (2.) Referenced product specifications are subject to change without notice.
 - (3.) Designed, Engineered, and Manufactured in Windham, ME USA
 - (4.) mWAVE Industries is part of the Alaris Holdings Group of Companies.
- © mWAVE Industries LLC - 2023 All rights reserved

Form: FPP2DL-20-S-230424_rev.2-DS

