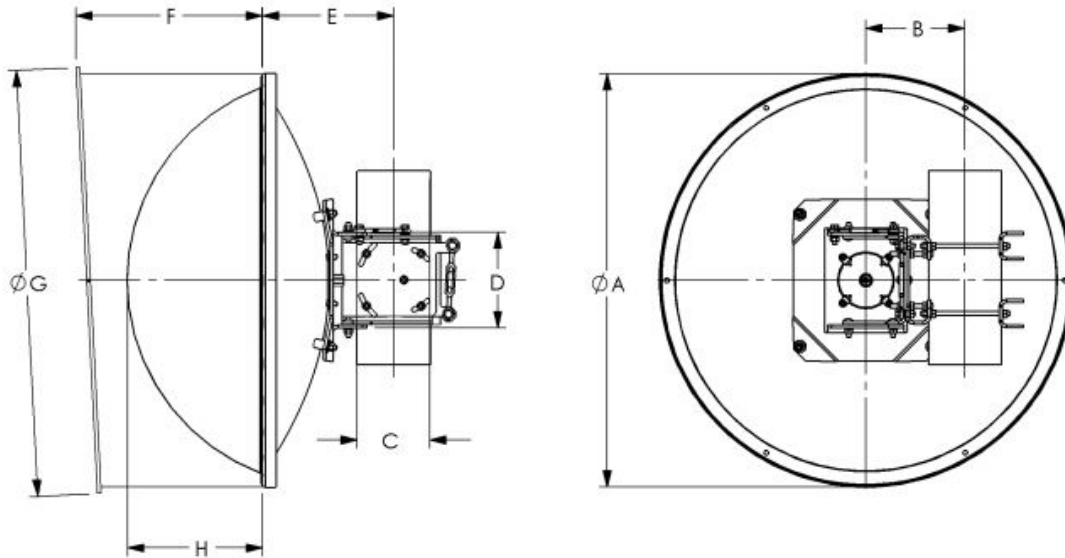


Mechanical Specifications

Standard & High Performance - 2-ft. (0.6m) & 3-ft. (0.9m)



Ref.	Reference Description	2-ft.	0.6m	3-ft.	0.9m
A	Antenna Diameter	25.6	(650)	37.5	(952)
B	Centerline Offset	6.1	(154)	7.2	(183)
C max.	Mast / Mount (max)	4.5	(114)	4.5	(114)
C min.	Mast / Mount (min)	1.9	(48)	2.38	(60)
D	Mount Length - Vertical	5.9	(150)	6.5	(165)
E	Reflector Length	8.1	(206)	10.4	(264)
F	Shroud Length	11.5	(292)	17.3	(439)
G	Antenna Diameter / Shroud	26.4	(671)	38.4	(975)
H	Radome Length (Std. Antenna)	10.8	(274)	12.8	(325)
	Struts (fixed)		optional		optional
	Azimuth Adjustable Range fine		+/-7°		+/-7°
	Elevation Adjustment Range		+15°		+15°
	NET Weight – Solid – Single	11.5	(292)	22.5	(10.2)
	NET Weight – Solid – Dual	12.0	(5.4)	23.0	(10.4)
	NET Weight – HP – Single	22.0	(9.8)	32.0	(14.5)
	NET Weight – HP – Dual	23.5	(10.6)	33.5	(15.2)

- Notes:
- (1.) Survival and Operational wind ratings are based on a specific models mechanical configuration.
 - (2.) Survival Wind: 125 mph (201 kmh)
 - (3.) Models with higher survival ratings are available.
 - (4.) Temperature Range: -40° to +140° F (-40° to 60° C)
 - (5.) Referenced product specifications are subject to change without notice.
- mWAVE Industries is part of the Alaris Holdings Group of Companies.
 © mWAVE Industries LLC - 2023 All rights reserved

Form: mWAVE-2-3-ft-Mechanical-170228.R0

